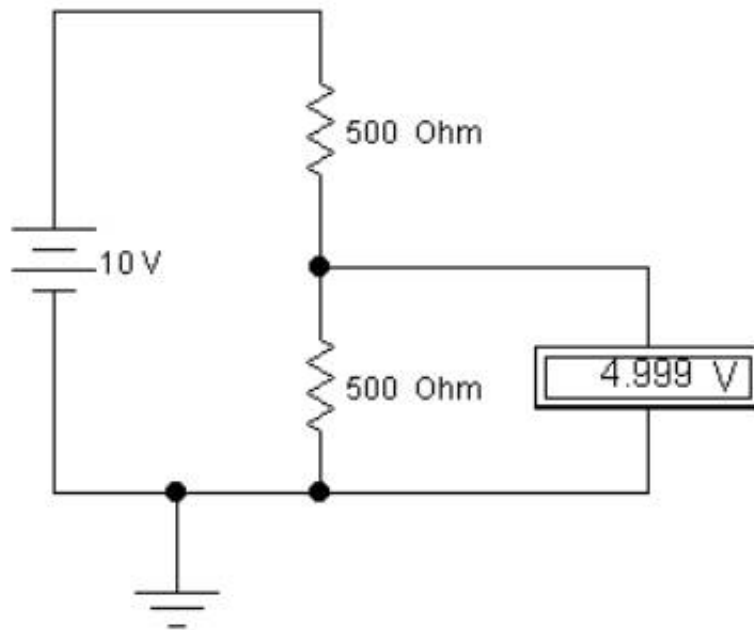




[Electronic Workbench Software Free Download Windows 7 64 Bit](#)



[Electronic Workbench Software Free Download Windows 7 64 Bit](#)



---

Windows Vista x64, Windows 7, Windows 7 x64. DipTrace is a software that helps you to create systematic, schematic and circuit boards diagrams.

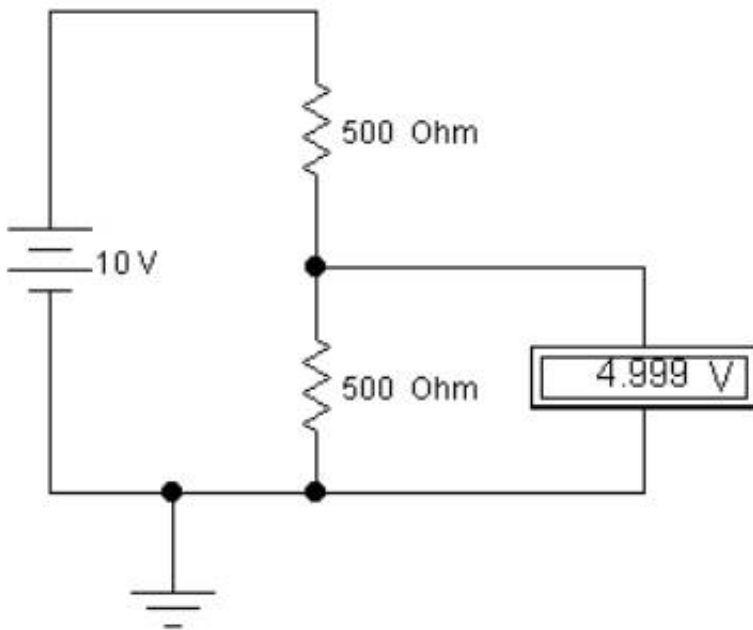
1. [electronic workbench software download for windows 10](#)

Lucid Electronics Workbench - X 64-bit Download - x64-bit download - freeware, shareware and software downloads.

## electronic workbench software download for windows 10

electronic workbench software download for windows 10, electronic workbench software download for windows 7 [Cyberlink Power2Go 3.0 Serial](#)

This software is available in many languages Like Czech, Russian and English It is a PCB tool that would need a technical guy for designing logical diagrams.. Electronic Workbench is software that used to create electronic circuit schematic diagram in electronic project and also continue to simulate the electronic circuit to know the result the electronic circuit output before implemented into real condition. [download free Paint Software For Windows](#)



[Extract Rar On Mac](#)

[Url Download For Mac](#)  
[Free Download Software Full Crack Keygen Patch](#)

[Difference Between Dmg Network And Dmg Local](#)

---

cea114251b [Maxi Pc Suite Free Download](#)

cea114251b

[Flash Player 11 Mac Download](#)